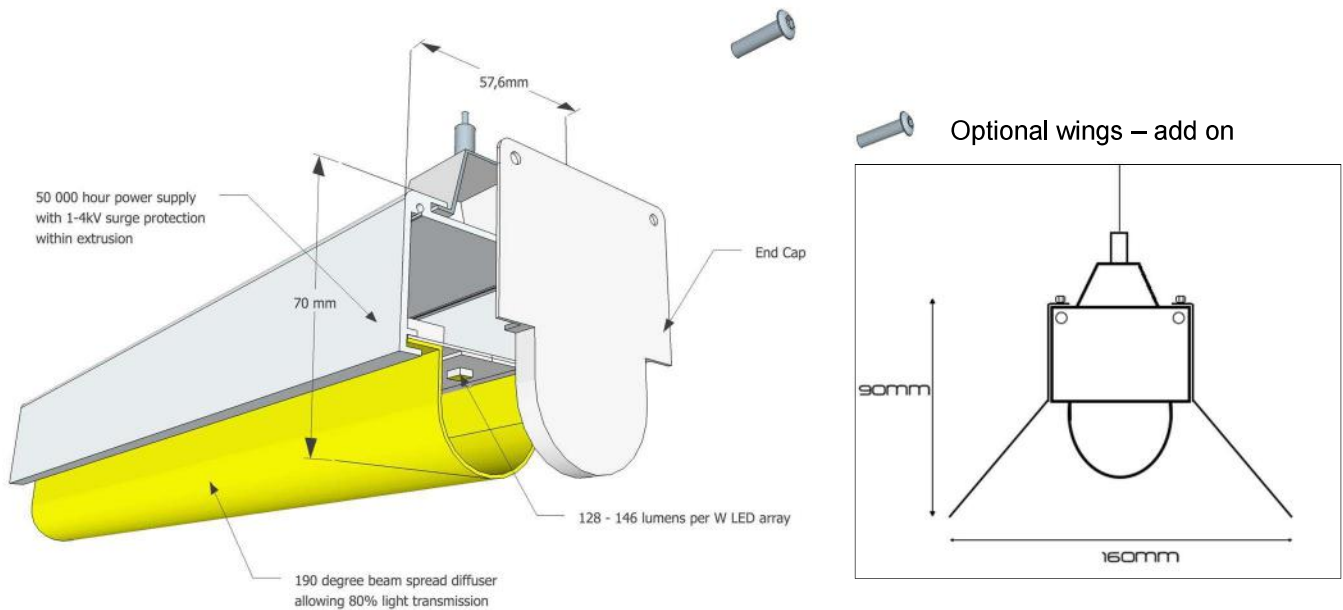


Utility LED

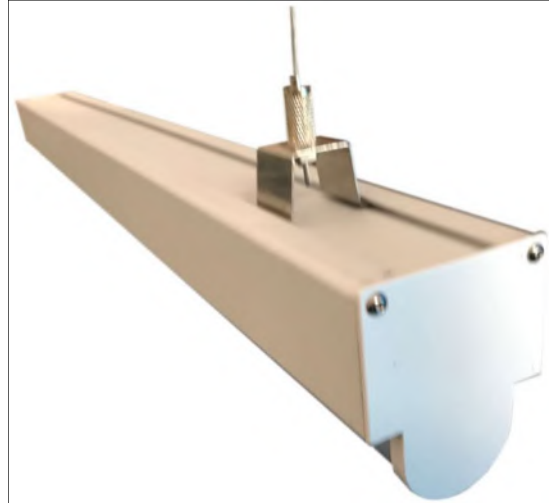




Body Construction	Extruded aluminium - either anodized or powder coated
Lens and Reflector type	190 degree ultra wide distribution Opal lens with 80% transmission.
Lumen options/Watts Length options	600mm – 24W 3072 lumens at source 1200mm – 48W 6144 lumens at source 1800mm – 72W 9216 lumen as source
Supply Voltage	230V AC 50HZ
CCT options	4000K and 5000K 3000K – (reduce lumens by 8%)
CRI	Plus 80 minimum – plus 90 possible on request
IP Rating	IP 44 – splash proof IP 55 on reuest
Control Gear	50000 hour Tridonic or Helvar or TCI – internally mounted
Installation Data	IES Files – Yes
Dimmable?	Standard – no but with correct gear – then; Dali – Yes 1-10V – Yes DMX – Yes Triac -Yes



Surface mount option



Pendant option

