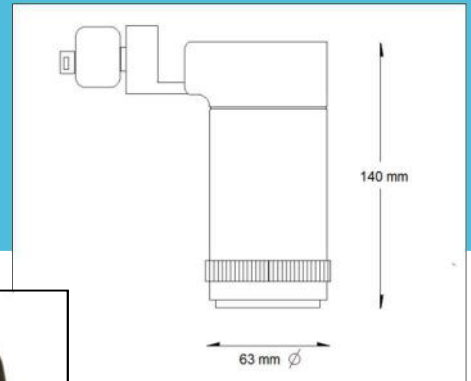
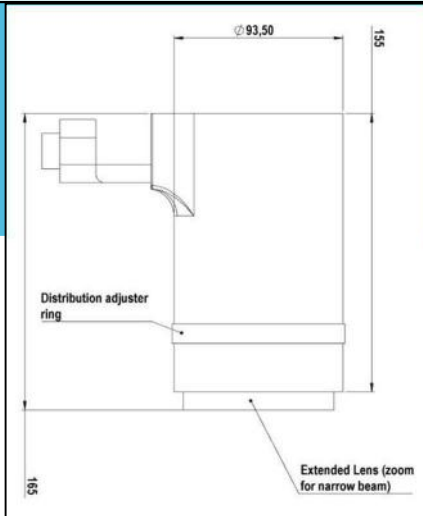
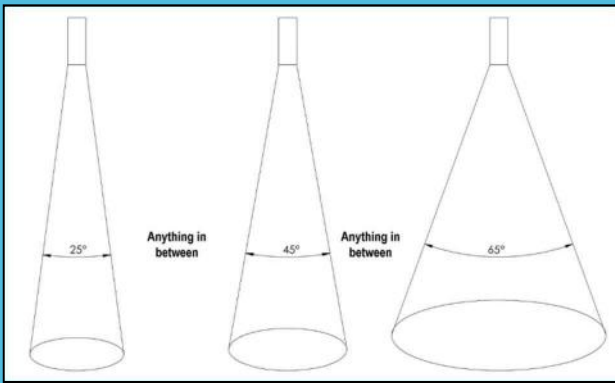


## Utility Track and Spot



## Track and Spot Fact File



	Spot		
Body construction	Body - Cast Aluminium		
LED type	Cree/Luminus/Bridgelux/Lumileds		
Power	10W or 20W		
CCT	3000K or 4000K (standard) or 5000K		
CRI	90+		
Lumens	1425 lumens for 10W and 2580 lumens for 20W		
Peak Candela	25° - 9133	45° - 4747	65° - 2322
Supply voltage	230V AC		
Dimmable	Normally – no , but can be adapted for leading edge or 1-10V		
Distribution	25° - 65°		
If warm white 3000K is required – the lumen values will drop by 8%			

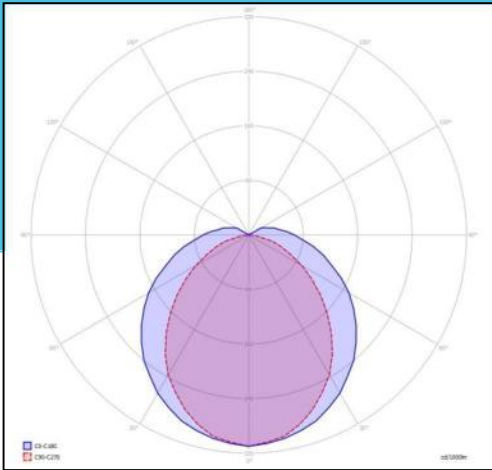
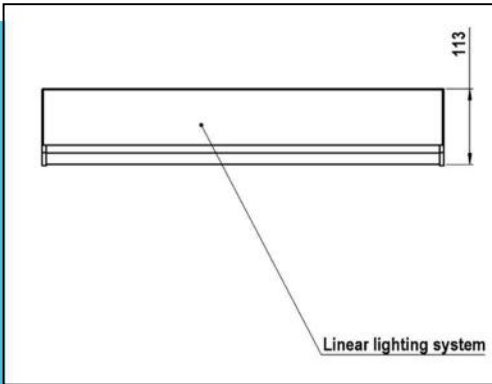
Lumen values are as measured at source - on the PCB - not exiting light fitting . Values are subject to change at any time and without notice.

Vault On Sky (PTY) LTD

Tel: +27 11 513 3161/ +27 784 096 174

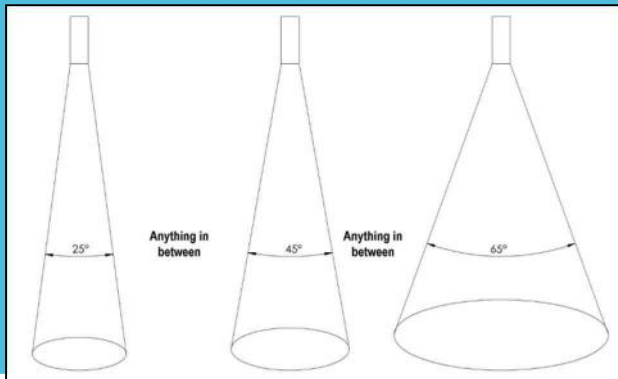
207B 2nd floor, SPACES Building, 128 Leslie Ave,  
Design Quarters, Fourways, 2191 Gauteng South Africa  
www.vaultonsky.co.za; email; charles@vaultonsky.co.za

## General Purpose



	Linear
Body construction	Body - Extruded Aluminium Lens – Extruded Acrylic
LED type	Luminus or Lumileds
Power	36W/m
Lumens	4600/m
Supply voltage	230V AC
CCT	3000K or 4000K or 5000K
CRI	80+ (standard), 90+ (on request)
Maximum length and cutting Intervals	5m – Can be cut every 100mm
Dimmable	Normally – no , but can be adapted for leading edge or DALI or DMX or 1-10V
Distribution	180+°
If warm white 3000K is required – the lumen values will drop by 8%	

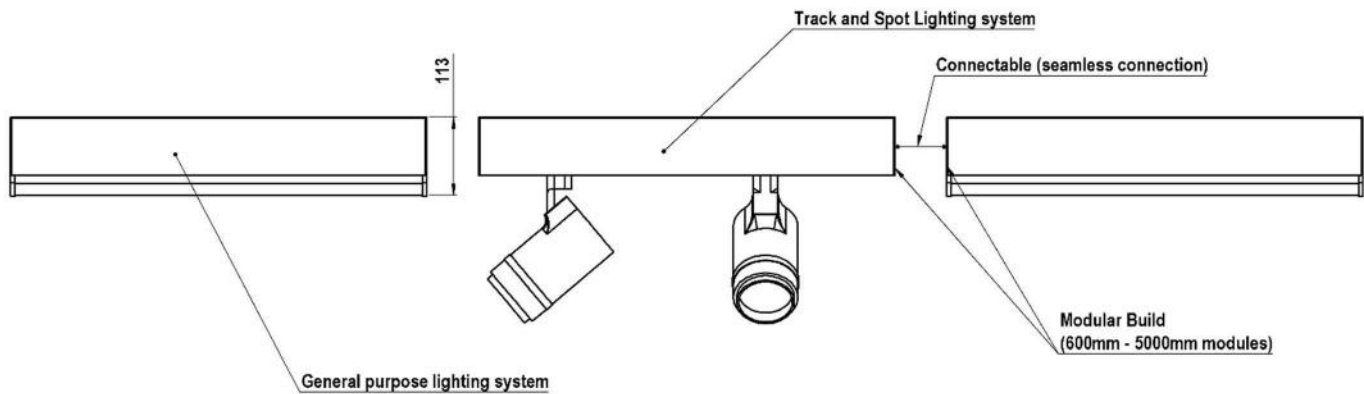
Lumen values are as measured at source - on the PCB - not exiting light fitting.  
Values are subject to change at any time and without notice.



## Retail Set

Fact File

### Spot distribution options



	Spot	Linear
Body construction	Body - Cast Aluminium	Body - Extruded Aluminium Lens – Extruded Acrylic
LED type	Cree	Luminus or Lumileds
Power	30W	36W/m
Lumens	2580	4600/m
Supply voltage	230V AC	230V AC
Dimmable	Normally – no , but can be adapted for leading edge or 1-10V	Normally – no , but can be adapted for leading edge or DALI or DMX or 1-10V
Distribution	25° - 60° (other distributions available on request)	180+°
If warm white 3000K is required – the lumen values will drop by 8%		

Lumen values are as measured at source - on the PCB - not exiting light fitting.  
Values are subject to change at any time and without notice.